



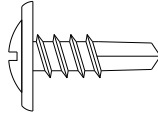
INSTALLATION GUIDE



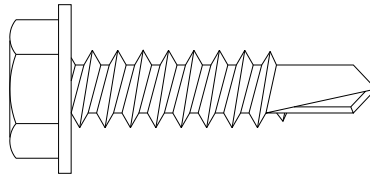
6201 27TH STREET
SACRAMENTO, CA 95822 U.S.A
800-289-4700 TOLL FREE
916-395-4700 PHONE
WWW.SUNOPTICS.COM

PARTS LIST

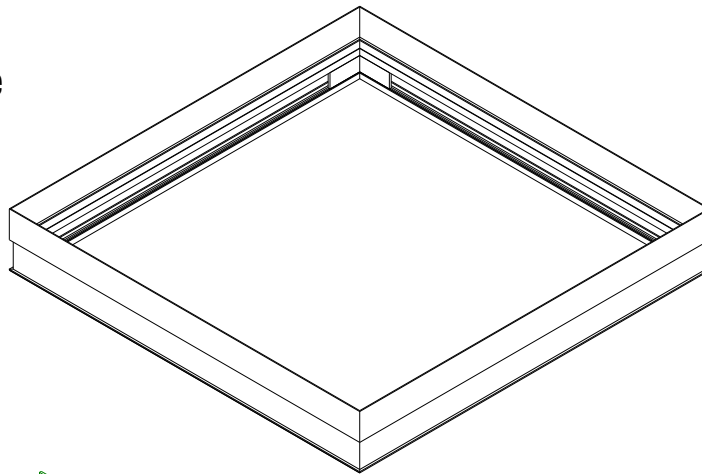
1. 8-18 ½" Drill tip Screw



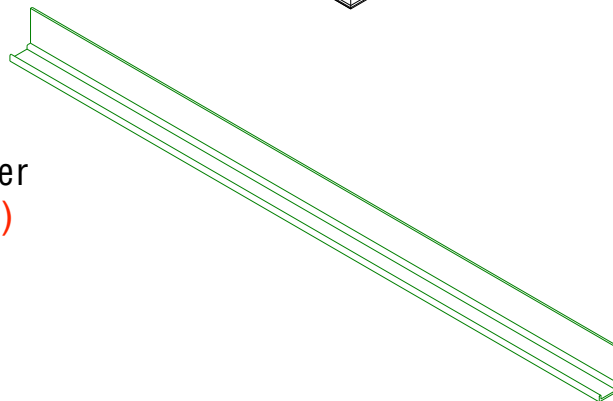
2. 10-12 x 1 ¼" Drill Tip Screw



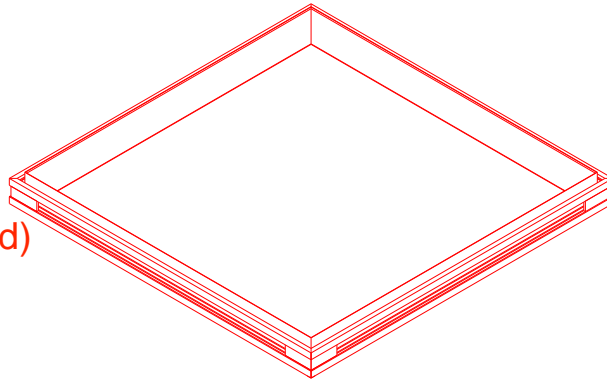
3. Bottom Lens Frame
(1 per Light Cube)



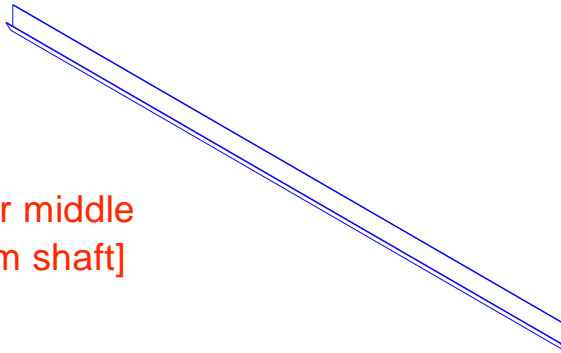
4. Bottom Lens Retainer
(4 per Light Cube)



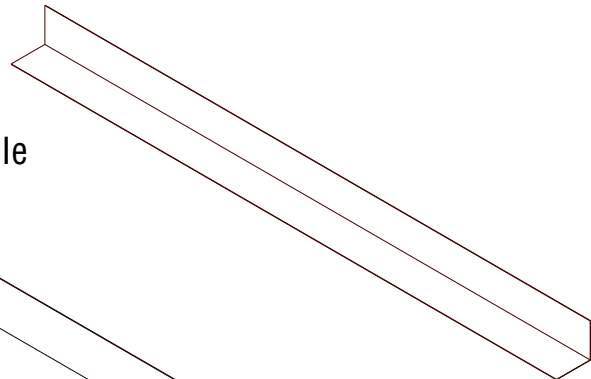
5. "K" Connector
(1 per Light Cube
Package,
Additional as Ordered)



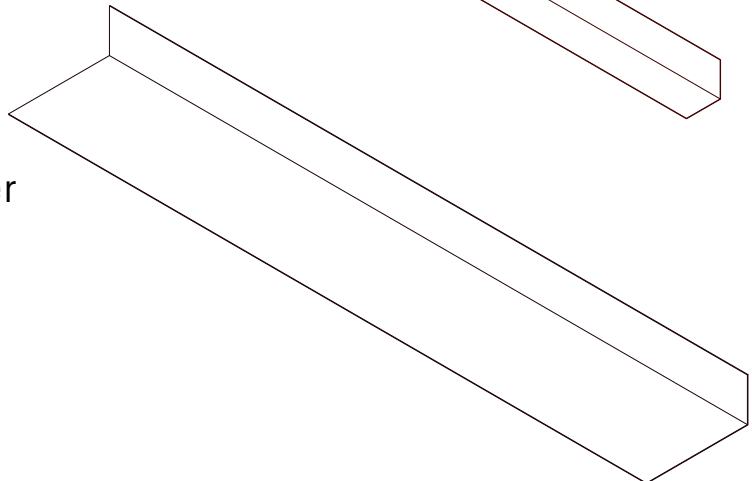
6. Retaining Clip
[4 per top shaft, 8 per middle
shaft(s), 4 per bottom shaft]



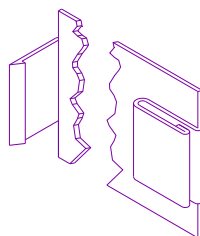
7. 60" x 1 1/2" x 1 1/2" Corner Connecting Angle
[4 per every 4' of shaft (for sections
smaller than 4', may need to cut on
site)]



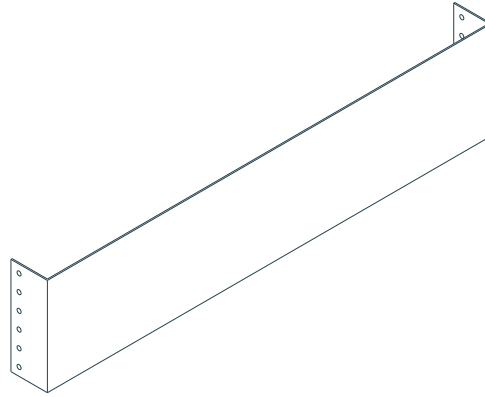
8. 1 1/2" x 3 1/4" Top Perimeter Cover
(4 per Light Cube)



9. Reflective Material
(4 per Shaft)



10. Support Channel
(2 per Light Cube)



11. Bottom Shaft Skirting
(4 per Light Cube)



TOOL LIST

1. Philips Head bit #2



2. Chisel

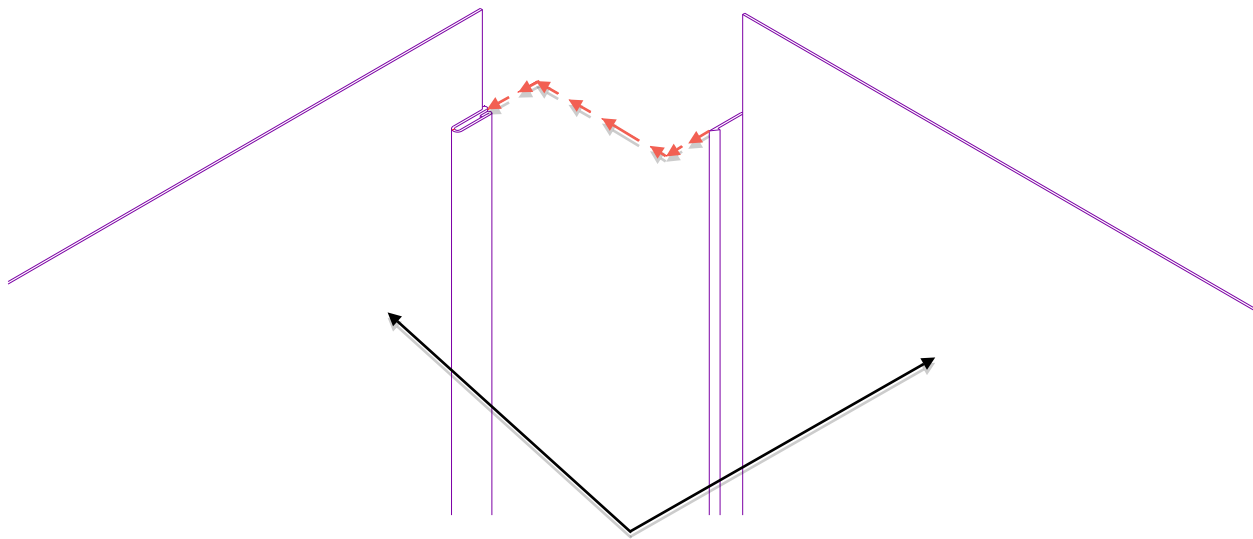


3. 5/16" Driver



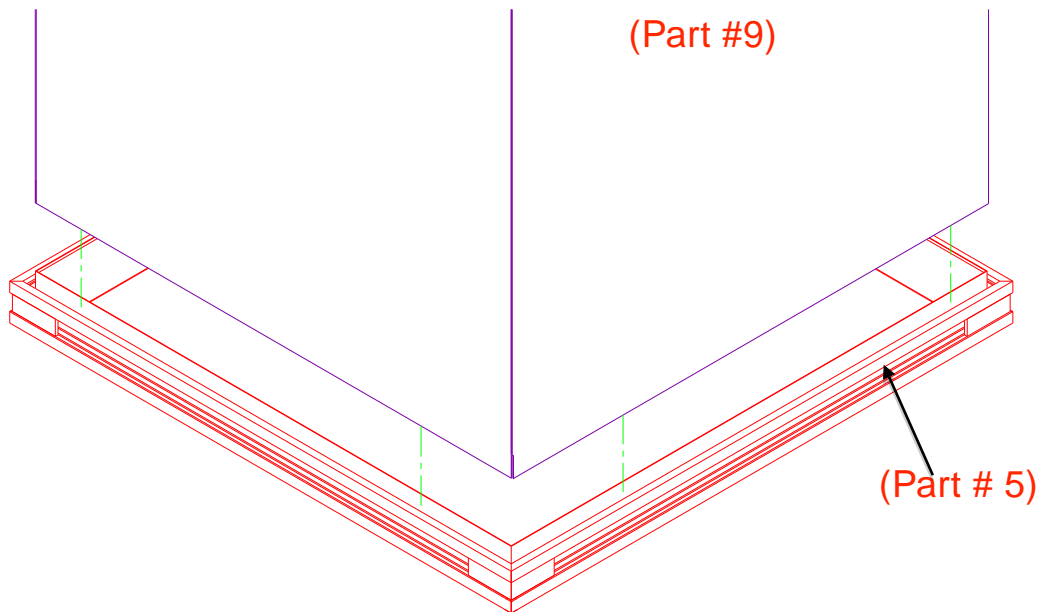
Thank You for Purchasing our High Performance LIGHTCUBE System

1. Caution: Handle Reflective Material with Care.
2. Verify all materials are on site, and available for installation.
3. In preparation for light cube assembly determine the length of the well by measuring from the top of the curb to the ceiling. Subtract a minimum of 2 inches from the top of the curb and 10" nominally above the bottom lens frame to allow for deviations in Well length. Well sections are in 4, 3, 2 and 1 foot lengths.
4. Assemble reflective material. Remove the protective film from the reflective material snap corners of the reflective material together locking material into a shaft like object in accordance with the desired dimensions.

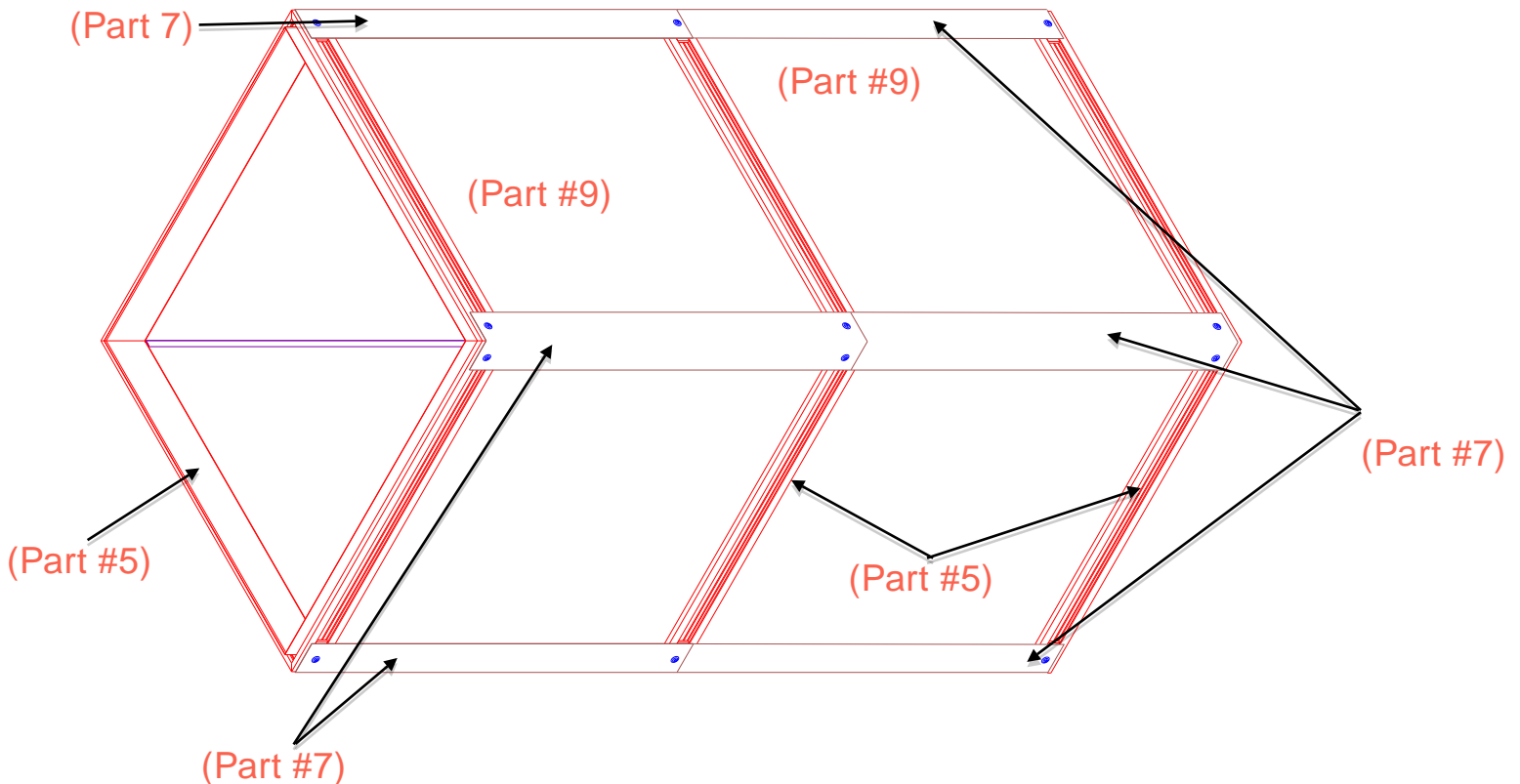


(PART #9)

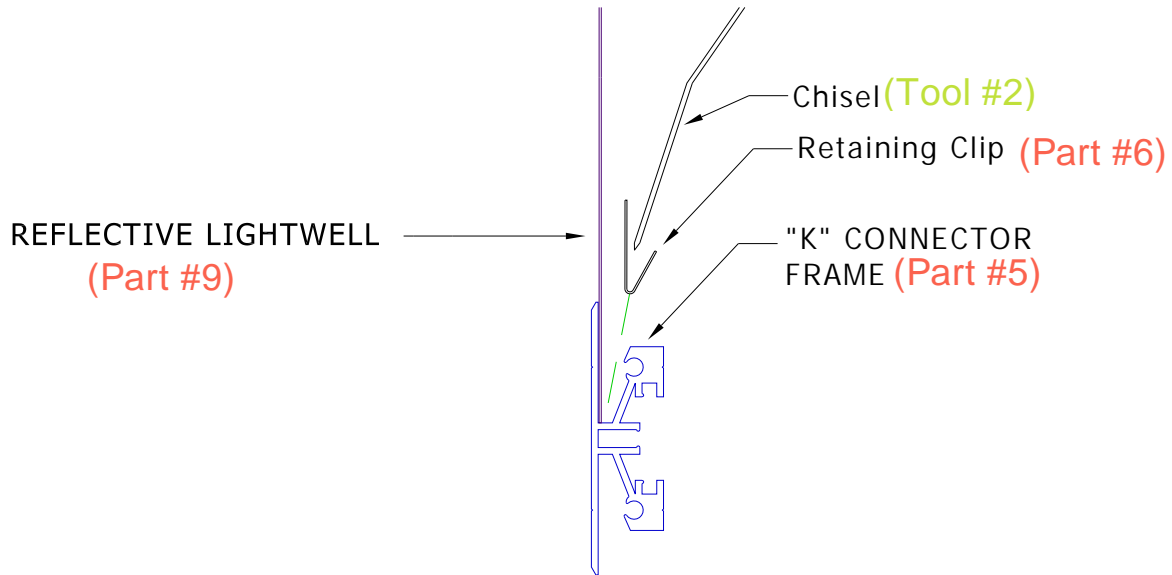
- Build desired shaft height by inserting reflective Assembly into "K" Connectors. Sunoptics suggests building shaft horizontally on the floor.



- Using the 8-18 x 1/2" Drill tip Screws secure Light Well on all 4 corners with the Corner support Angle with a #2 Philips head driver bit.

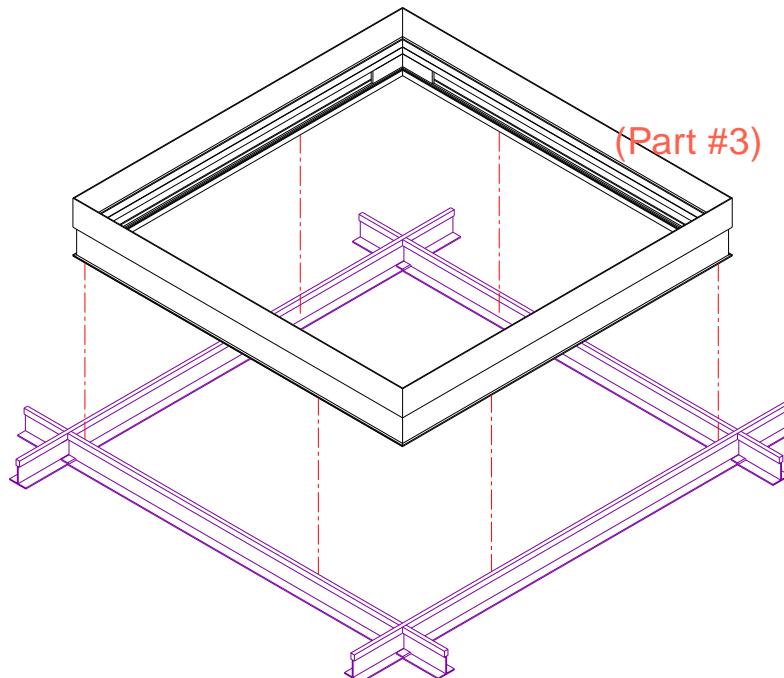


7. Secure Reflective Assembly to "K" Connector by using provided chisel to push Retaining Clip into position.

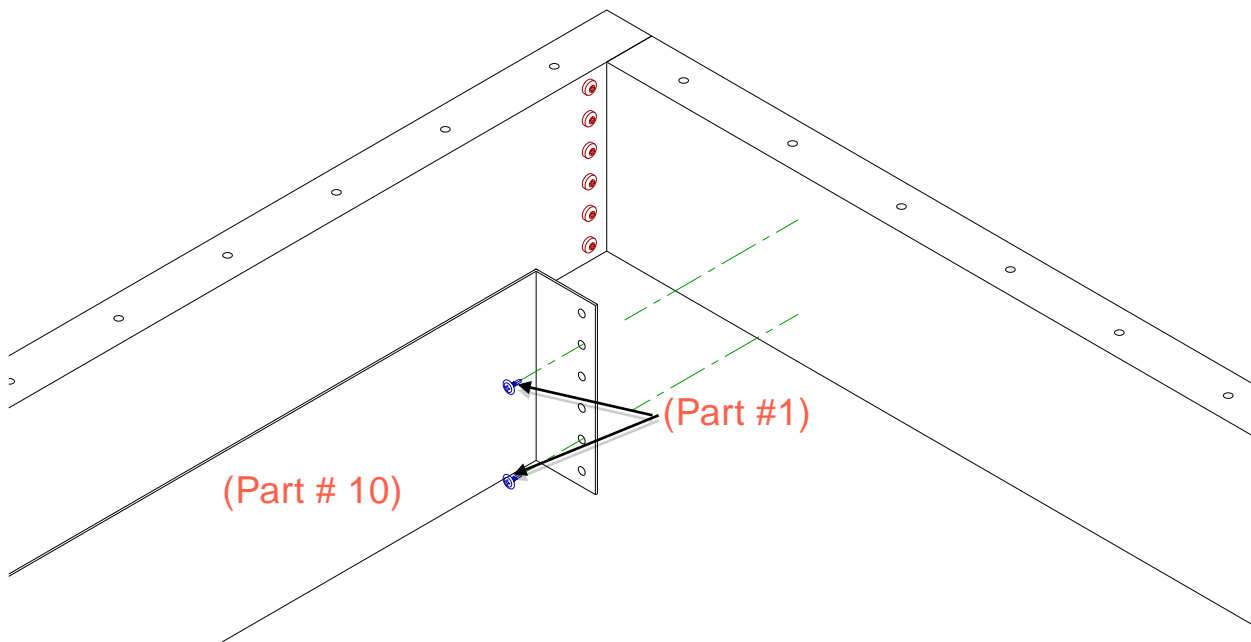


Cut Away View

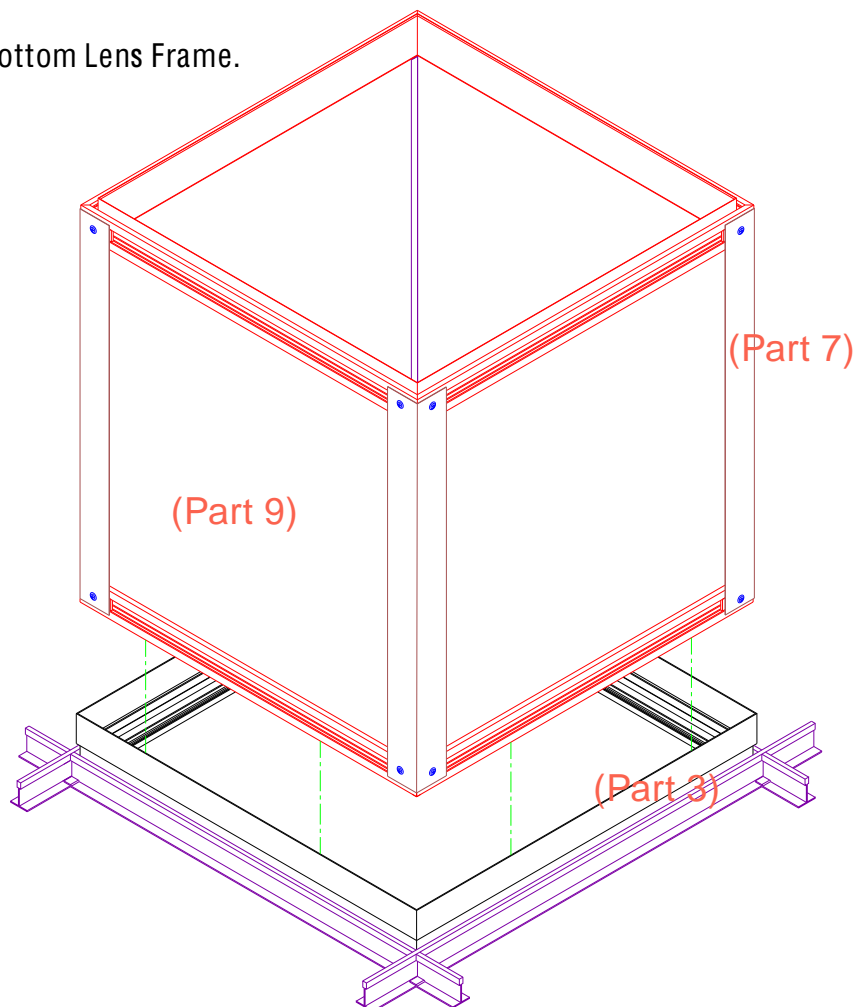
8. Insuring LIGHTCUBE is square, place Bottom Lens Frame on the T bar of the Suspended ceiling.



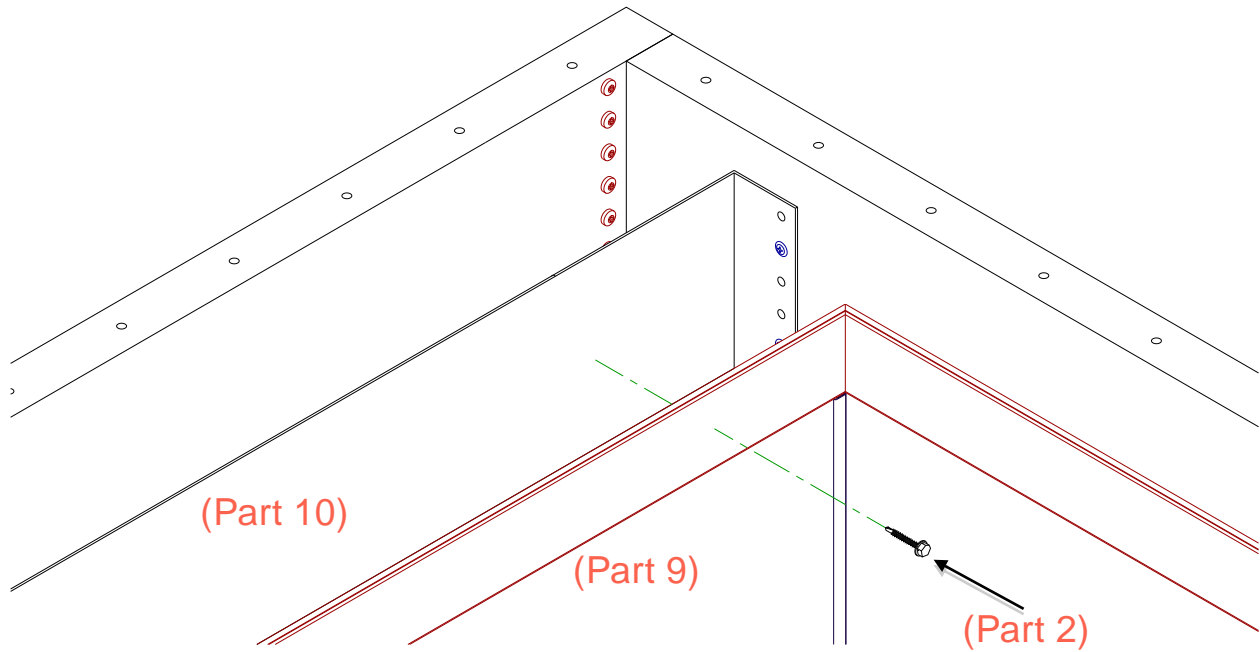
9. Attach Support Channel to the Curb insuring measurements allow for the bottom of the shaft to be centered on and to float 10" nominally above the Bottom Lens frame.



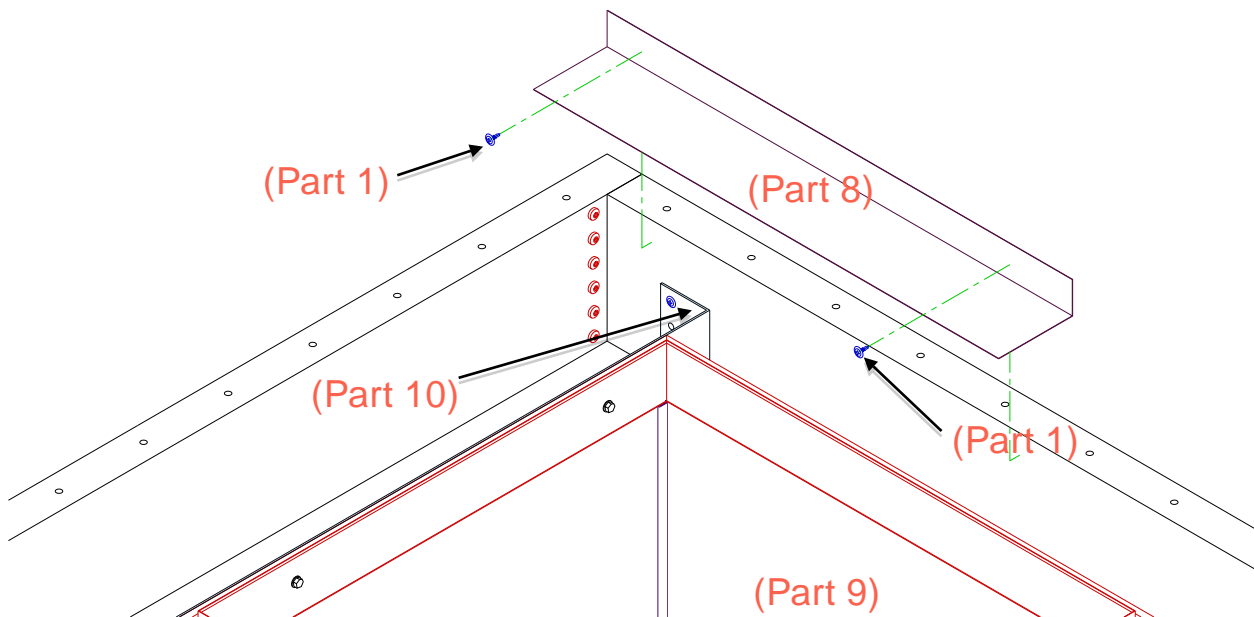
10. Slide Reflective Well through the Curb insuring the shaft is centered on and floating 10" nominally above Bottom Lens Frame.



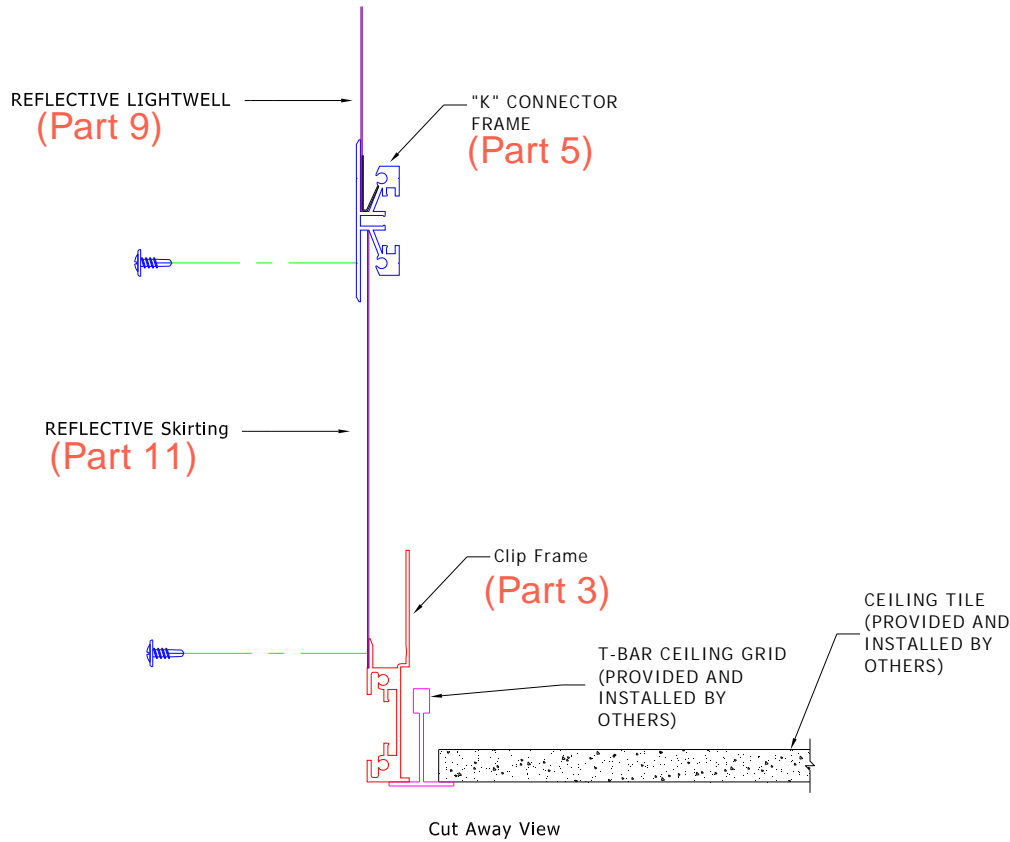
11. Secure Reflective Well to the Support Channel.



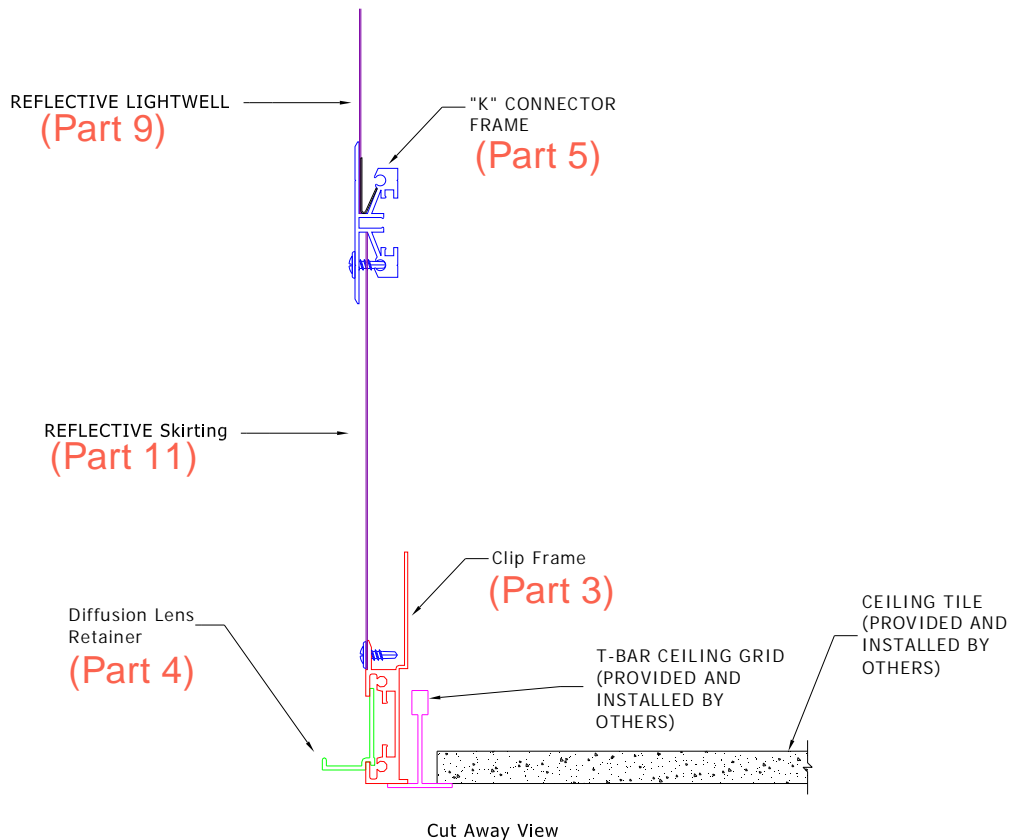
12. (Optional) To restrict Light from entering between the Light Well and curb Attach Top Perimeter Cover to the curb and cut to size to permit optimal light to enter into Light Well.



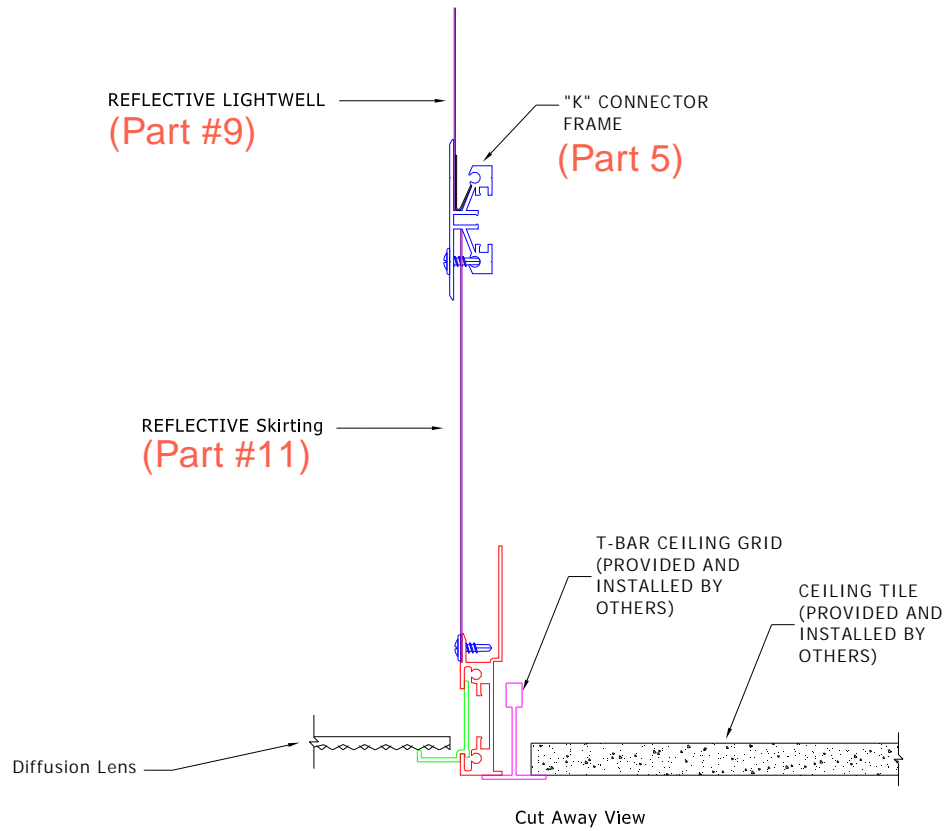
13. Attach Skirting at the bottom of the shaft to complete Well section



14. Insert Bottom Lens Retainer into Bottom Lens Frame.



15. Place Bottom Lens on top of Bottom Lens Retainer.



16. After installing Skylight in accordance to installation instructions the Sunoptics Light Cube is complete.