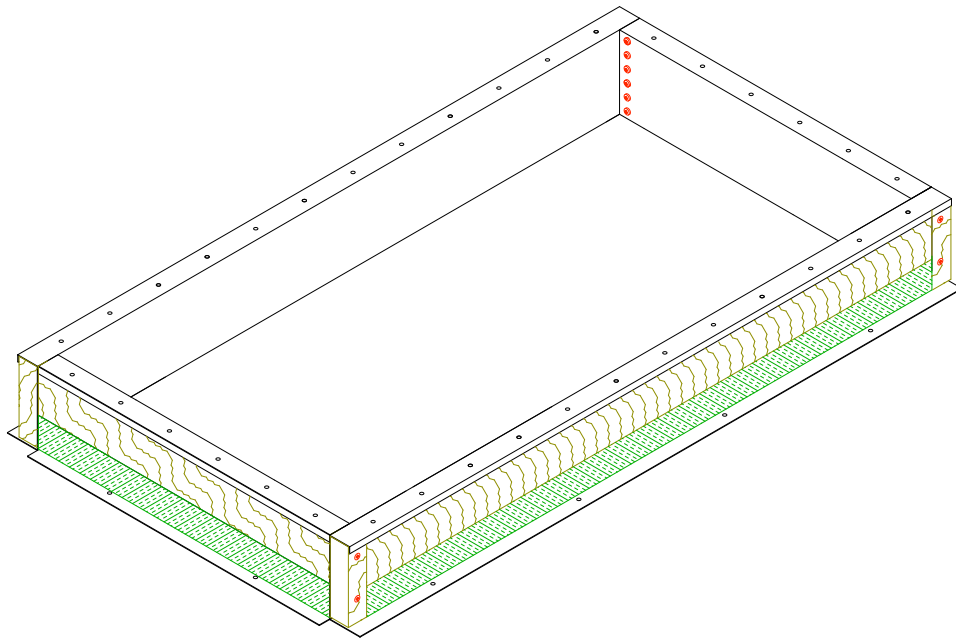


## Knock Down (KD) Curb



## Assembly Instructions

6201 27<sup>TH</sup> STREET  
SACRAMENTO, CA 95822 U.S.A  
800-289-4700 TOLL FREE  
916-395-4700 PHONE  
WWW.SUNOPTICS.COM

## **Thank You for Purchasing Our Knock Down Curb**

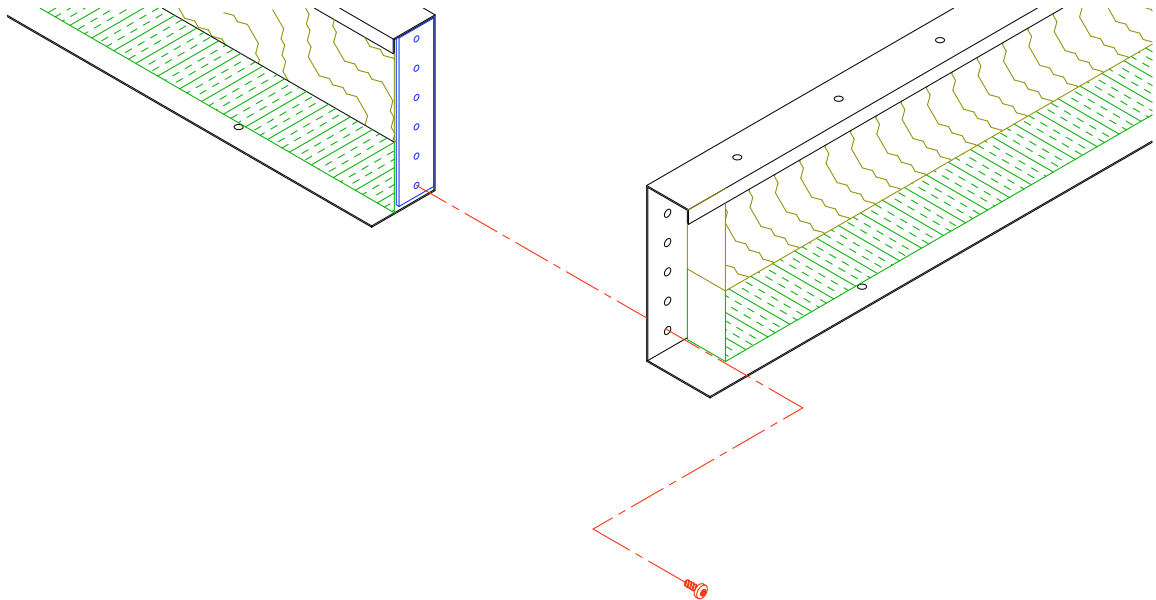
### 1. Warning:

- a) Installation of these products requires working on the roof and handling materials with sharp edges. Both can be hazardous to your health and could hurt you or cause serious lacerations. Always be careful when working on the roof by following all procedures that apply.
- b) SUNOPTICS recommends professional installation of the system by a competent licensed and bonded contractor.
- c) SUNOPTICS is not an insurer of, or for any Contractor/Installer of its products and has no control over the installation process. Therefore, SUNOPTICS is to be held completely harmless from any litigation arising from installation mishaps, regardless of cause, or severity.
- d) These instructions are a guide for a typical installation, your specific installation techniques may vary. The Purchaser is responsible for complying with local building codes. Please consult an engineer regarding structural modifications and support for the system.

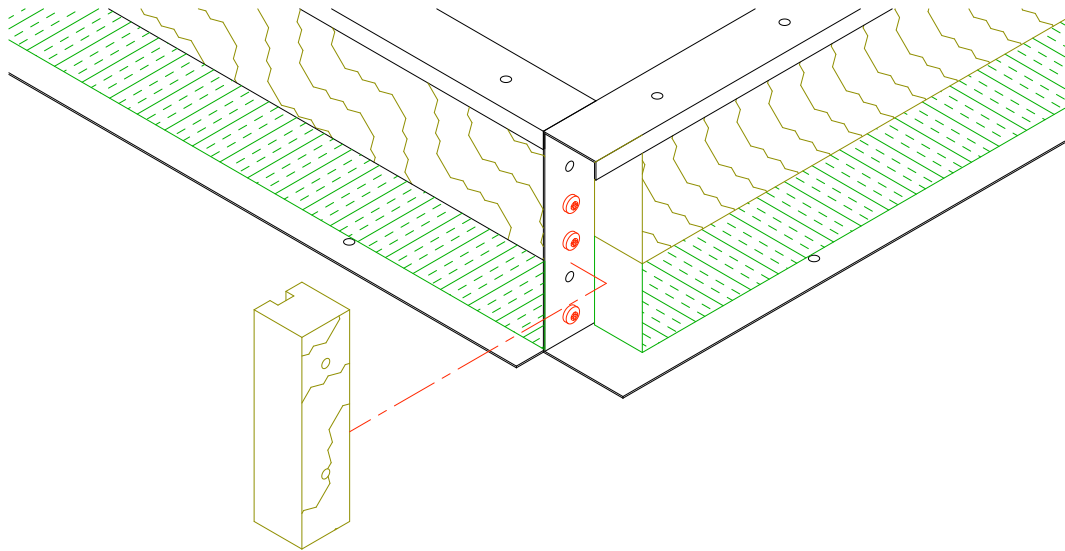
2. Verify all materials are on site, and suitable weather is expected.

3. With a P3 Philips head tip use the 1/4"-20 x 1/2" self-tapping screw to connect curb side "A" to the curb side "B" at one hole per inch leaving the second hole from the top and the second hole from the bottom empty.

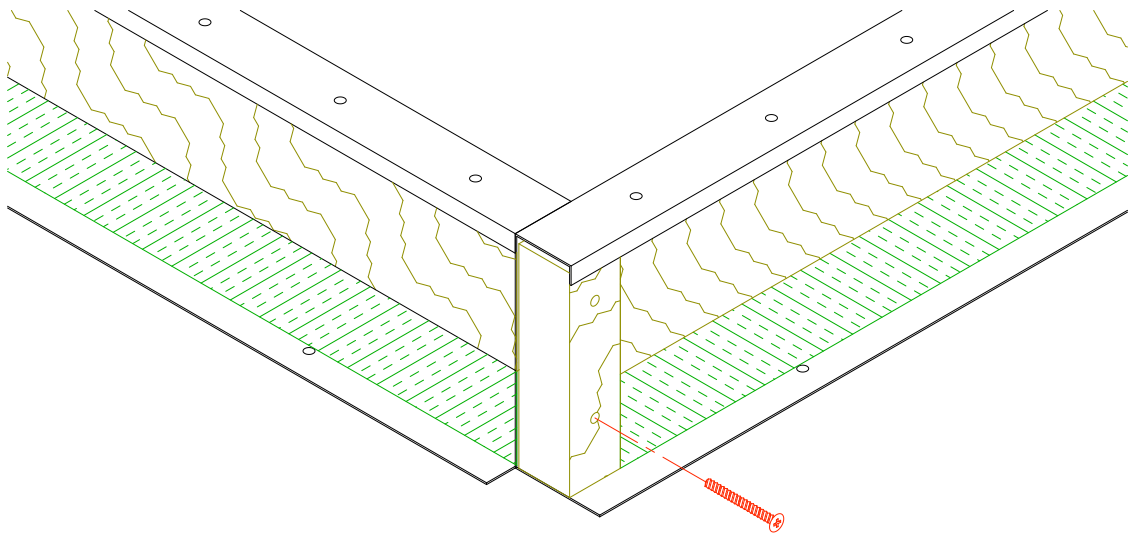
Continue until all 4 sides of the curb have been attached.



4. Insert the corner blocks (part C) into the open space on all 4 corners of the curb sides.



5. Using the ¼"-20 x 2" self tapping screws attach the corner blocks (part C) to the curb.

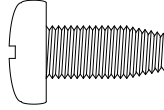


6. This completes the assembly instructions for the Knock Down curb. The Curb is now ready for installation on the roof.

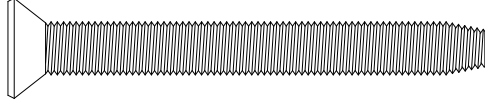
## Parts List

### Fasteners

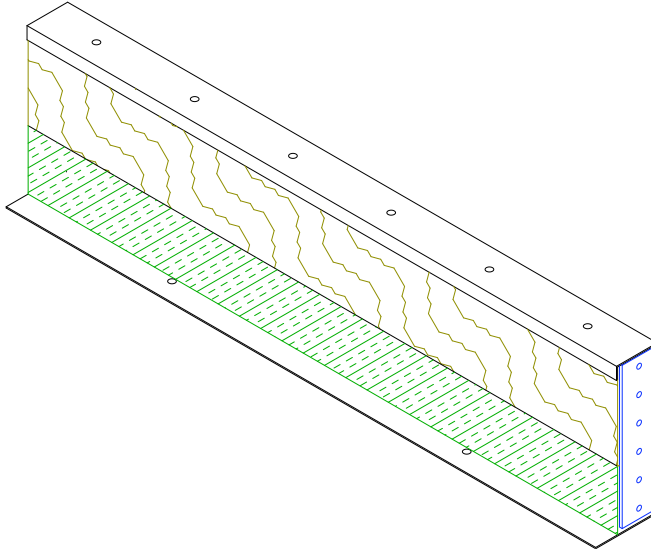
1. 1/4"-20 x 1/2" Self Tapping Screw



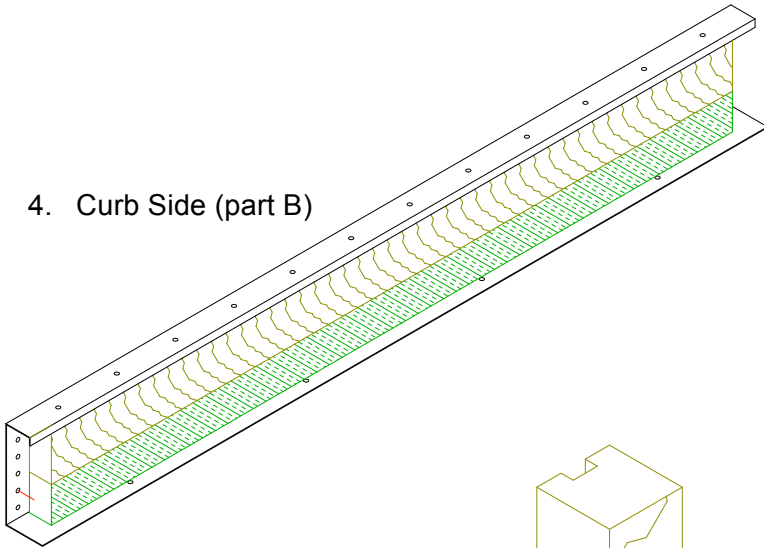
2. 1/4"-20 x 2" Self Tapping Screw



3. Curb side (part A)



4. Curb Side (part B)



5. Corner Block (part C)

