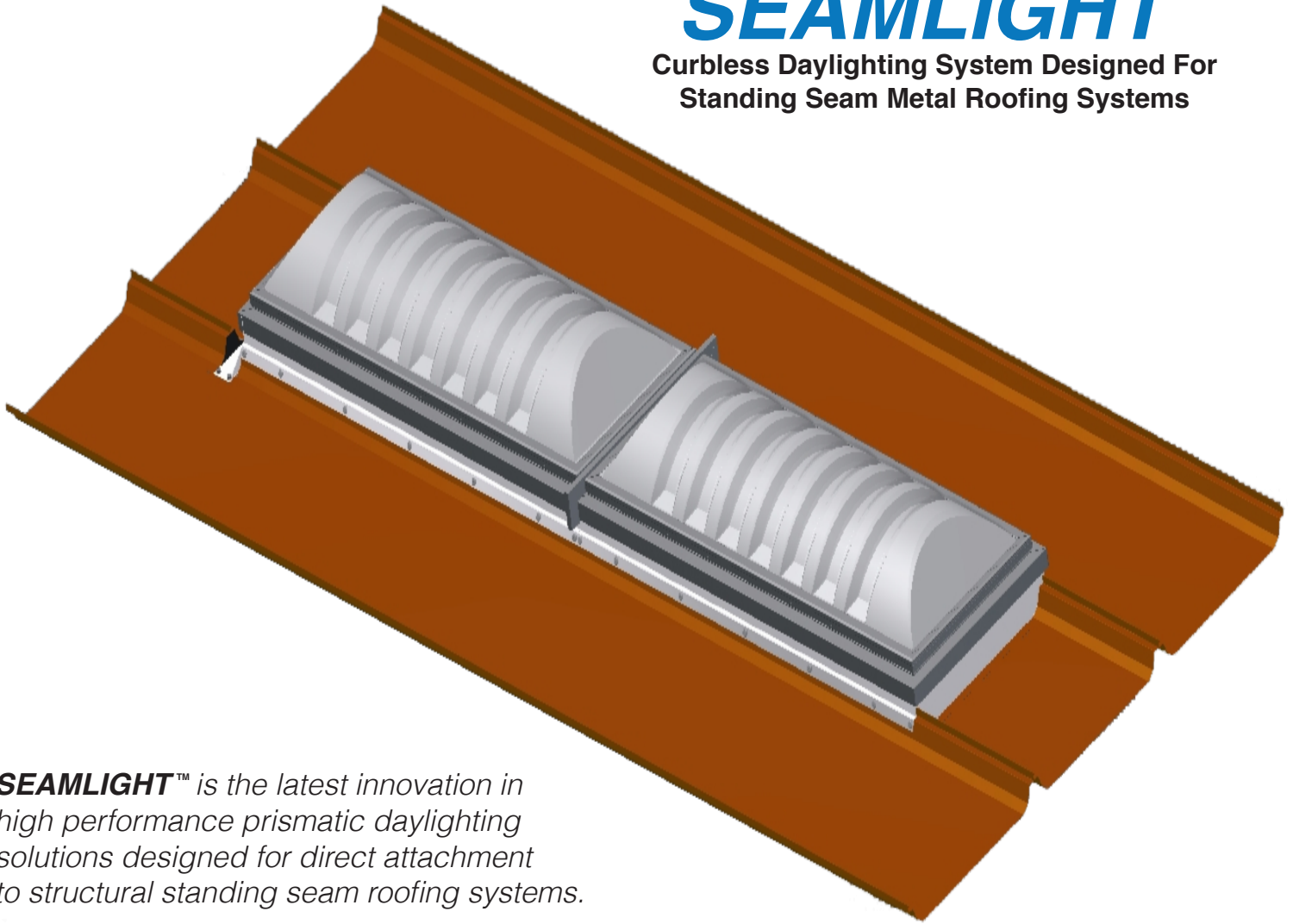


SEAMLIGHT™


Curbless Daylighting System Designed For
Standing Seam Metal Roofing Systems



SEAMLIGHT™ is the latest innovation in high performance prismatic daylighting solutions designed for direct attachment to structural standing seam roofing systems.

SEAMLIGHT™ Curbless Daylighting System Provides:

- Utilizes the patented Sunoptics Signature Series Skylight for unmatched daylighting performance
- Designed to maintain the structural integrity of the standing seam roof
- Single sided front end water diverter minimizes roof penetrations and leak potential
- Rail attachment to standing seam roof allows system to move with roof expansion and contraction
- Ease of installation compared to conventional metal building curbs makes daylighting cost effective.

 **SUNOPTICS**®
High Performance Prismatic Daylighting
An **Acuity** Brands Company

6201 27th Street
Sacramento, CA 95822
(916) 395-4700 Phone
(916) 395-9204 Fax
pure.energy@sunoptics.com

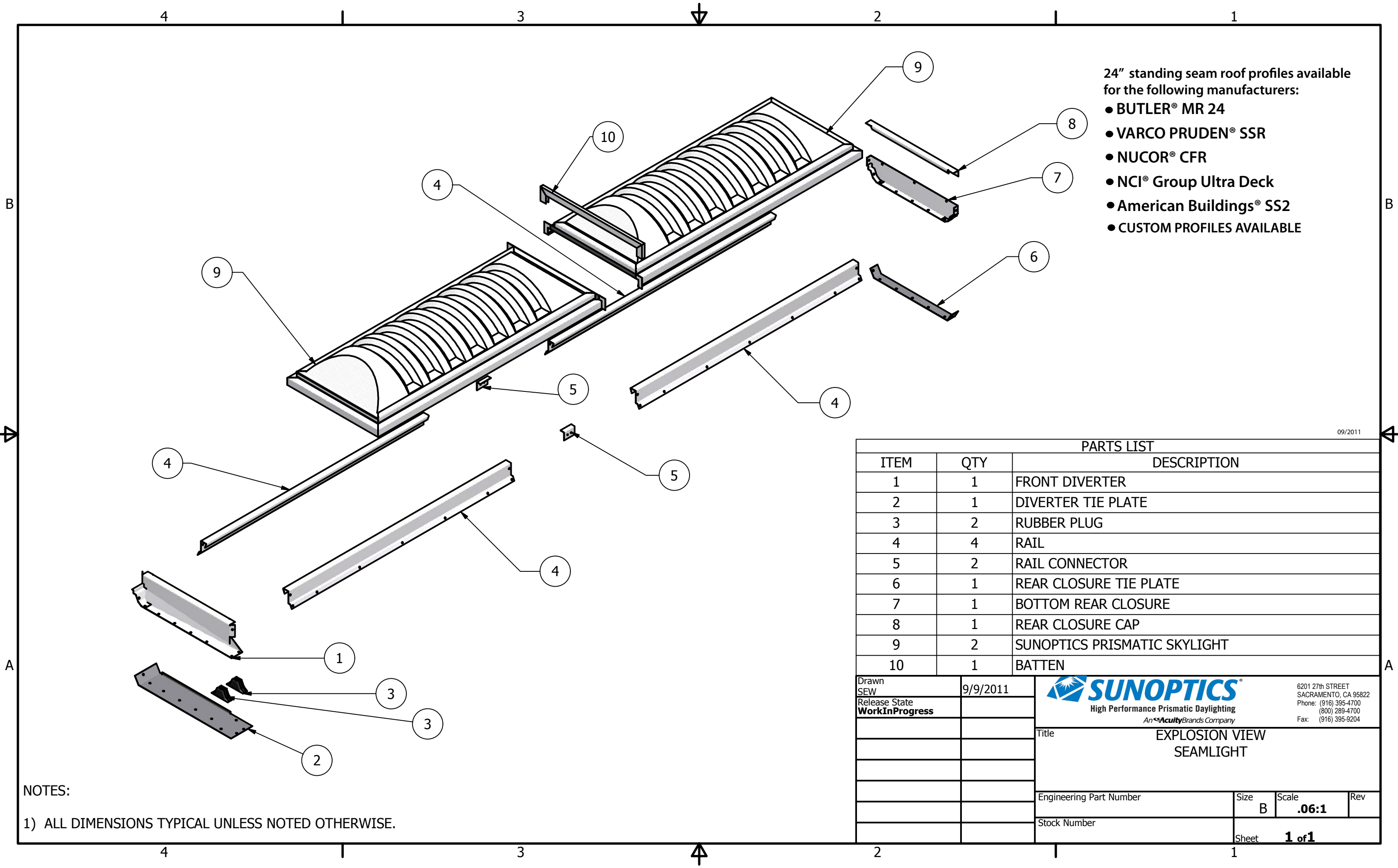
For more information, call Toll Free:

800-289-4700

Or visit our website at:

www.sunoptics.com

Because... There's No Greater Efficiency Than Off!®




24" standing seam roof profiles available for the following manufacturers:

- BUTLER® MR 24
- VARCO PRUDEN® SSR
- NUCOR® CFR
- NCI® Group Ultra Deck
- American Buildings® SS2
- CUSTOM PROFILES AVAILABLE

09/2011

PARTS LIST			
ITEM	QTY	DESCRIPTION	
1	1	FRONT DIVERTER	
2	1	DIVERTER TIE PLATE	
3	2	RUBBER PLUG	
4	4	RAIL	
5	2	RAIL CONNECTOR	
6	1	REAR CLOSURE TIE PLATE	
7	1	BOTTOM REAR CLOSURE	
8	1	REAR CLOSURE CAP	
9	2	SUNOPTICS PRISMATIC SKYLIGHT	
10	1	BATTEN	

Drawn SEW	9/9/2011	 SUNOPTICS High Performance Prismatic Daylighting <i>An Acuity Brands Company</i>	6201 27th STREET SACRAMENTO, CA 95822		
Release State WorkInProgress			Phone: (916) 395-4700 (800) 289-4700 Fax: (916) 395-9204		
		Title	EXPLOSION VIEW SEAMLIGHT		
		Engineering Part Number	Size B	Scale .06:1	Rev
		Stock Number	Sheet 1 of 1		

NOTES:

1) ALL DIMENSIONS TYPICAL UNLESS NOTED OTHERWISE.